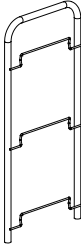
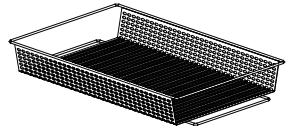
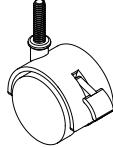
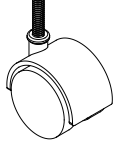
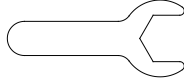


Installation Instruction

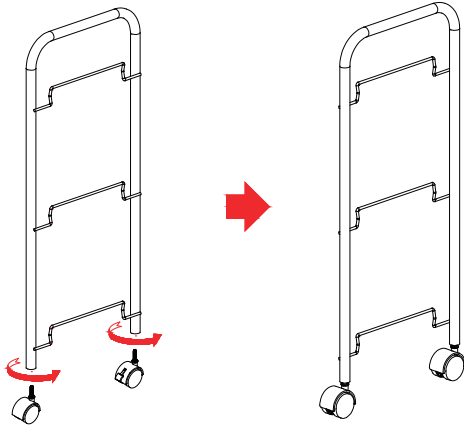
3 Tier Mesh Kitchen Trolley

Accessories List ● Check all the accessories first before installation

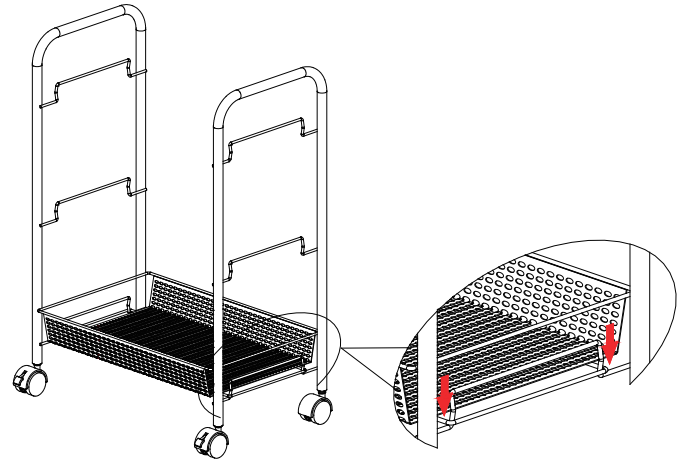
A) Bracket 2PCS 	B) Basket 3PCS 	C) Wheel  With lock 2pcs  no lock 2pcs	D) Wrench 1PC 
---	--	---	---

Installation process

Step1: Install all wheels into the brackets by wrench;



Step2: Put on the basket as the picture;



Step3: Repeat step 2.

